

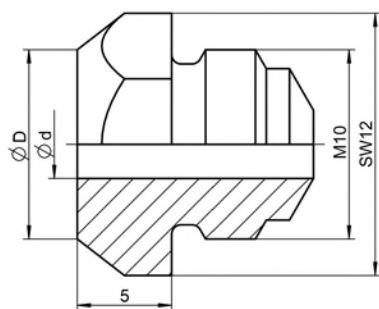
Nosepieces for blind rivet setting tools

SN 2*, HN 2, PH 1, PH 2, PH 2-KA, PH-Axial and PH 2000

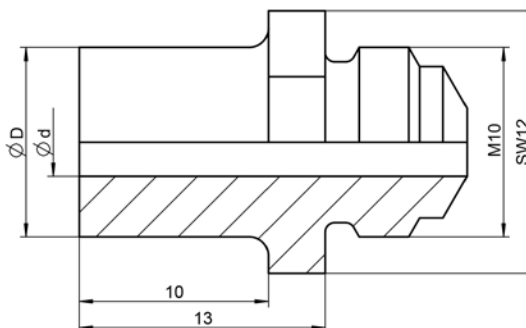
Rivet Ø	Rivet material	Ø d	Ø D	Standard	Article no.	Extended version (10 mm)	Article no.
2.4	Al	1.8	6.0	16/18	143 4285	V-16/18	143 4370
3.2	CAP® Al, CAP® copper	1.8	6.0	16/18	143 4285	V-16/18	143 4370
3	Al/Cu	2.0	6.0	16/20	143 4287	V-16/20	143 4371
3 and 3.2	Al, Cu, steel, stainless steel, Stinox, Al/ Al, PG Al, PG steel	2.4	6.0	16/24	143 4288	V-16/24	143 4372
4	Al, Cu, CAP® Al, CAP® Cu	2.4	6.0	16/24	143 4288	V-16/24	143 4372
4	Steel, Al/ Al, PG Al	2.7	8.0	16/27	143 4289	V-16/27	143 4373
4	Stainless steel, Stinox, PG steel	3.0	8.0	16/29	143 4290	V-16/29	143 4374
4.8 and 5	CAP® Al, CAP® Cu, PG Al	3.0	8.0	16/29	143 4290	V-16/29	143 4374
4.8 and 5	Steel, Al/ Al	3.35	8.0	16/32	143 4291	V-16/32	143 4375
4.8 and 5	Stainless steel, Stinox, PG steel	3.6	10.0	16/36	143 4292	V-16/36	143 4376
6	Al	3.6	10.0	16/36	143 4292	V-16/36	143 4376
6	Steel	4.0	10.0	16/40	143 4293	***V-16/40	143 4369
6.4	Al, PG Al	4.0	10.0	16/40	143 4293	***V-16/40	143 4369
6.4	Steel, Al/ Al	4.5	10.0	16/45	143 4300	V-16/45	143 4378
4	Plastic	3.0	6.0	**16/30 K	143 4130		
5	Plastic	3.5	6.0	**16/35 K	143 4131		
6	Plastic	4.0	6.0	**16/40 K	143 4132		

* up to April 2010

Standard version
16/..... Nosepieces



Extended version (10 mm)
V-16/..... Nosepieces



Rivet Ø	Rivet material	Ø d	Ø D	Designation	Article no.
4.8	all MEGA GRIP®	3.1	8.0	16/31 MG	143 4380
6.4	all MEGA GRIP®	4.2	10.0	16/41 MG	143 4381
4.8	Monobolt®	3.15	7.7	16/31 MB	143 4379
6.4	Monobolt®	4.2	9.5	16/42 MB	143 4163

Rivet Ø	Rivet material	Ø d	Ø D	Designation	Article no.
4	all BULB-TITE®	2.64	8.0	16/26 BT	143 4301
5.2	all BULB-TITE®	3.23	10.0	16/32 BT	143 4302
6.3	all BULB-TITE®	4.2	11.0	16/42 BT	143 4303
7.7	all BULB-TITE®	4.8	10.0	16/48 BT	143 4304

