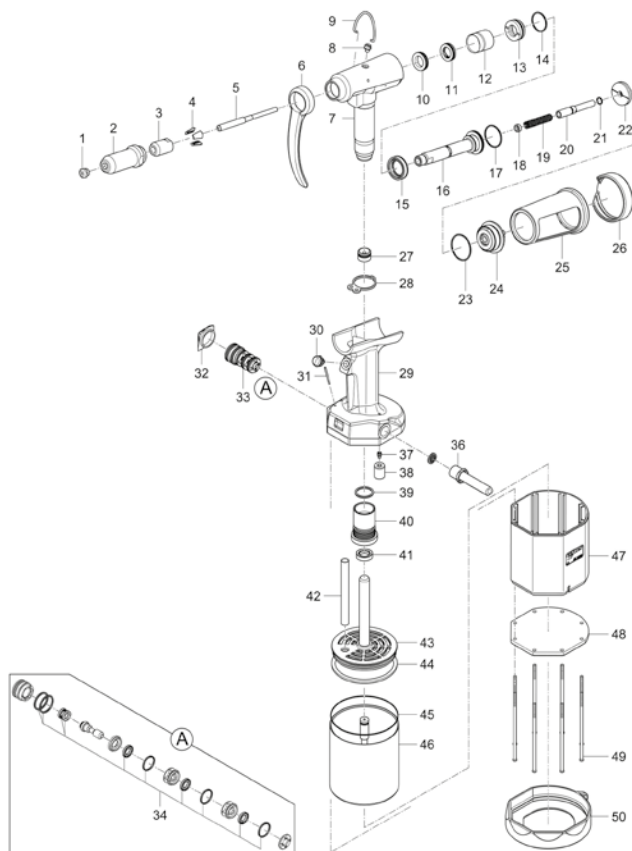


# Hydro-pneumatic blind rivet setting tools

## PH 2000 / PH 2000-BT (only for BULB-TITE®)

Spare part no.	Article no.	Designation
1 •	143 4288	Nosepiece 16/24
	143 4289	Nosepiece 16/27
	143 4290	Nosepiece 16/29
	143 4291	Nosepiece 16/32
	143 4292	Nosepiece 16/36
	143 4293	Nosepiece 16/40
2	143 4300	Nosepiece 16/45
2	143 4105	Steel head sleeve
3 •	143 4129	Jaw housing
4 •	143 4103	Jaws (3-part)
5	145 6735	Jaw pusher up to 4 mm Ø blind rivets
	143 4167	Jaw pusher up to 4,8 mm Ø blind rivets
	143 4168	Jaw pusher up to 6,4 mm Ø blind rivets
6	143 4232	Hand protection
7	145 6741	Tool head complete
8 •	145 6754	Replenishing screw complete
9	144 5265	Suspension bracket
10 •	145 6749	Annular piston complete
11 •	145 6750	Scraper ring complete

Spare part no.	Article no.	Designation
12 •	145 6751	Cylinder sleeve complete
13 •	145 6752	Casing ring complete
14 •	143 4227	O-ring
15 •	145 6757	Groove ring with supporting ring
16	145 6745	Lock activator complete
17 •	143 4226	O-ring
18 •	143 4210	Spacer ring
19 •	144 5290	Compression spring
20 •	143 4211	Pressure pipe complete
21 •	143 4231	O-ring
22	143 4212	Resetting piston, complete
23 •	143 4225	O-ring
24	143 4213	Cover complete
25	143 4233	Spent mandrel container, complete
26	144 5295	Air deflector
27	143 4214	Valve body complete
28 •	143 4221	Flat gasket
29	145 6742	Grip, complete
30	145 6753	Release valve, complete
31	143 4219	Bolt
32	143 4216	Silencer
33	145 6756	Distributing valve complete
34 •	145 6758	Set of seals for slide valve
36	143 4220	Hose complete
37	144 5819	Stud bolt
38	143 4218	Suction valve complete
39 •	143 4228	O-ring
40	145 6755	Sealing ring mount complete
41 •	143 4223	Rod seal
42	143 4217	Channel tube
43	145 6748	Air piston complete
44 •	143 5201	O-ring
45 •	143 4224	O-ring
46	145 6743	Cylinder complete
47	143 4235	Casing
48	143 4236	Bottom
49	144 5292	Countersunk screw
50 •	143 4237	Rubber base
	144 5293	Ball Allen key
	143 4311	Universal wrench MSU
	144 5294	Hydraulic oil refill bottle, 100 ml
	143 4234	Jaw assembly conversion kit for small rivet Ø
	145 6759	Changeover set for BULB-TITE®
•	143 4301	Nosepiece 16/26 BT for 4 mm Ø BULB-TITE® rivets
•	143 4302	Nosepiece 16/32 BT for 5,2 mm Ø BULB-TITE® rivets
•	143 4303	Nosepiece 16/42 BT for 6,3 mm Ø BULB-TITE® rivets
•	143 4304	Nosepiece 16/48 BT for 7,7 mm Ø BULB-TITE® rivets
	143 4167	Jaw pusher 4,0 and 5,2 mm Ø blind rivets
	143 4168	Jaw pusher 6,3 and 7,7 mm Ø blind rivets
•	143 4173	Jaws (3-part) for BULB-TITE® rivets
	145 6762	Changeover set for MEGA GRIP®
•	143 4380	Nosepiece 16/31 MG
•	143 4381	Nosepiece 16/41 MG
•	143 4240	Jaws (3-part) for MEGA GRIP® rivets
	143 4168	Jaw Pusher



• Wearing parts

You will find detailed nosepiece allocation tables on page 353.

**You will find spare part kits for PH 2000 on page 387.**